

# DMD

Rotating discs magnetic separators



# DMD

DMD is a rotating magnetic discs separator for coolants used during industrial machining contaminated by magnetic particles.

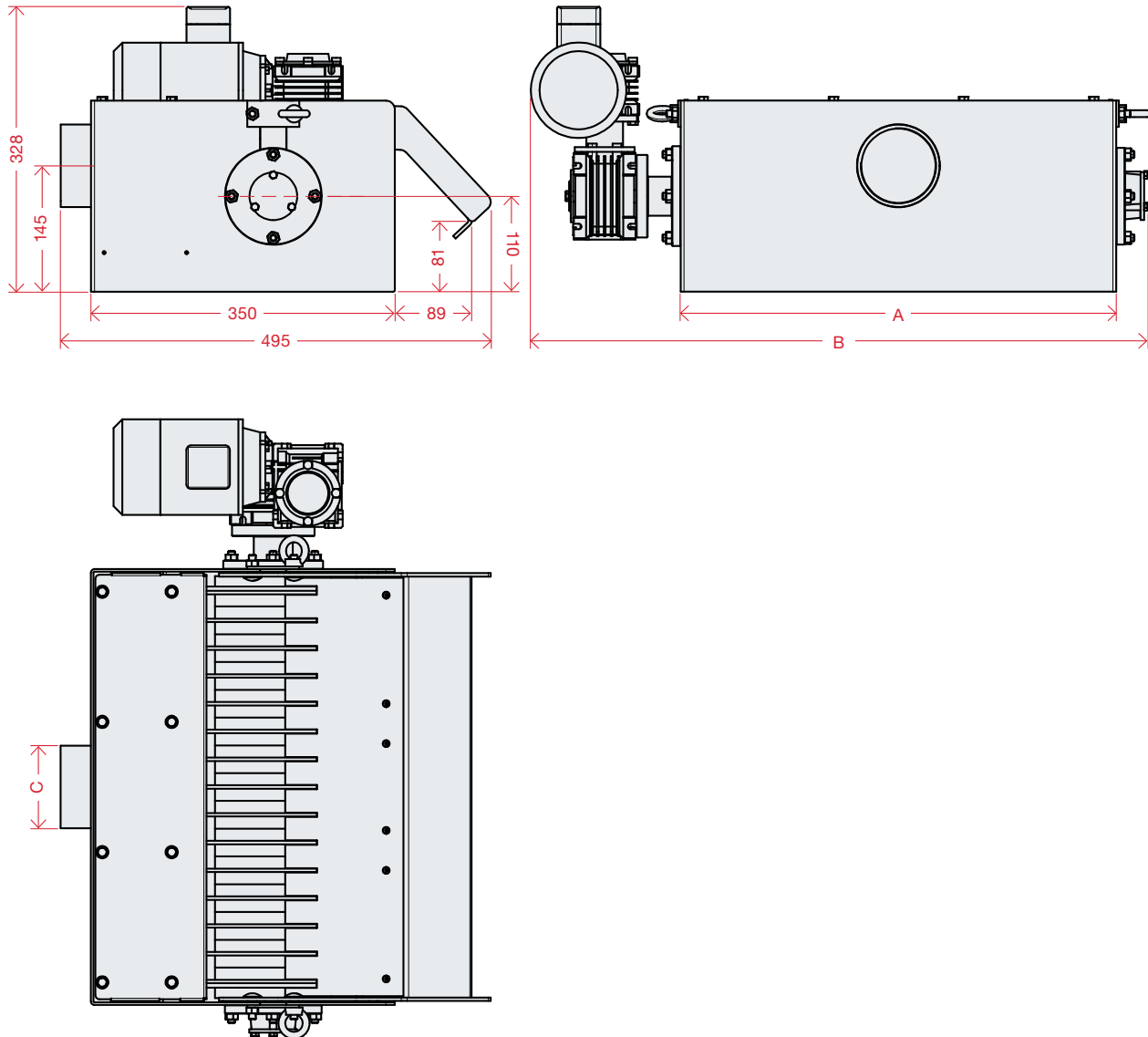
DMD series is available in 7 standard models for flowrates ranging from 50 to 400 l/min of emulsion and from 25 to 200 l/min of neat oil.



LOSMA guarantees that every single unit is individually tested through strict control procedures. Each unit is issued a test certificate for quality and function.



# DMD Technical data



DMD	Dimensions		
	A	B	C
50	160	370	3"
100	236	445,5	3"
150	350	560	3"
200	426	635	3"
250	502	710	3"
300	654	885	3"
400	844	1080	3"
500	1034	1265	3"

DMD	Max filtering cap. soluble oil	Max filtering cap. neat oil	Weight Kg
	l/min	l/min	
50	50	25	95
100	100	50	160
150	150	75	240
200	200	100	315
250	250	125	415
300	300	150	525
400	400	200	620
500	500	250	700

# DMD-P

For heavy flowrates DMD P was designed, are rotating magnetic discs available in 5 models, able to filter from 600 to 1800 l/min of emulsion and from 300 to 900 l/min of neat oil.

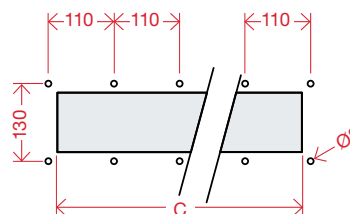
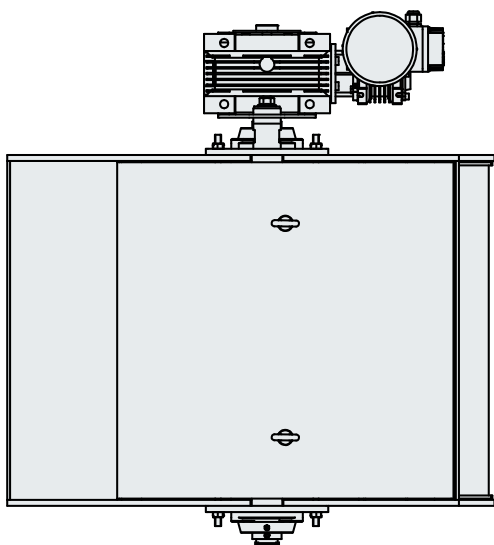
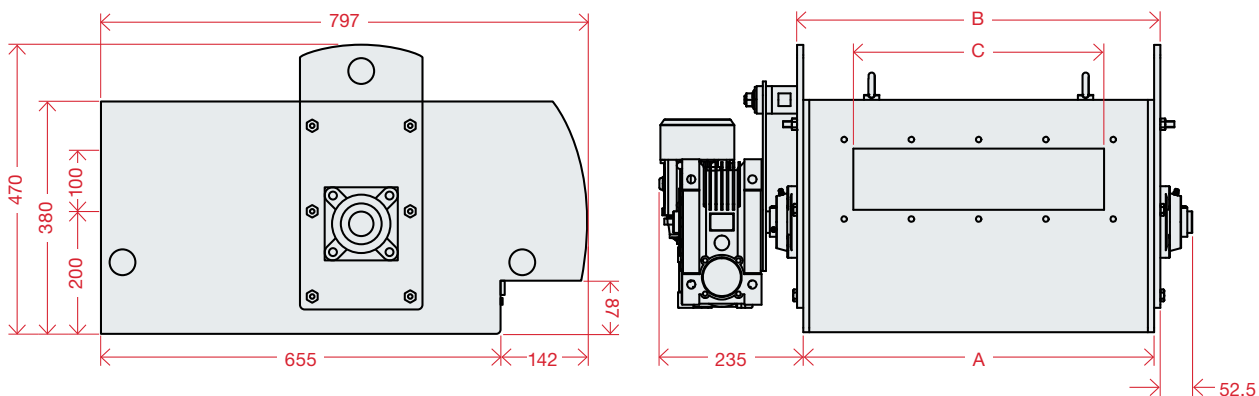
The robust structure of DMD-P is suitable for large machine tools, centralized applications, machining centers, grinding, deep drilling and hard machining.



LOSMA guarantees that every single unit is individually tested through strict control procedures. Each unit is issued a test certificate for quality and function.



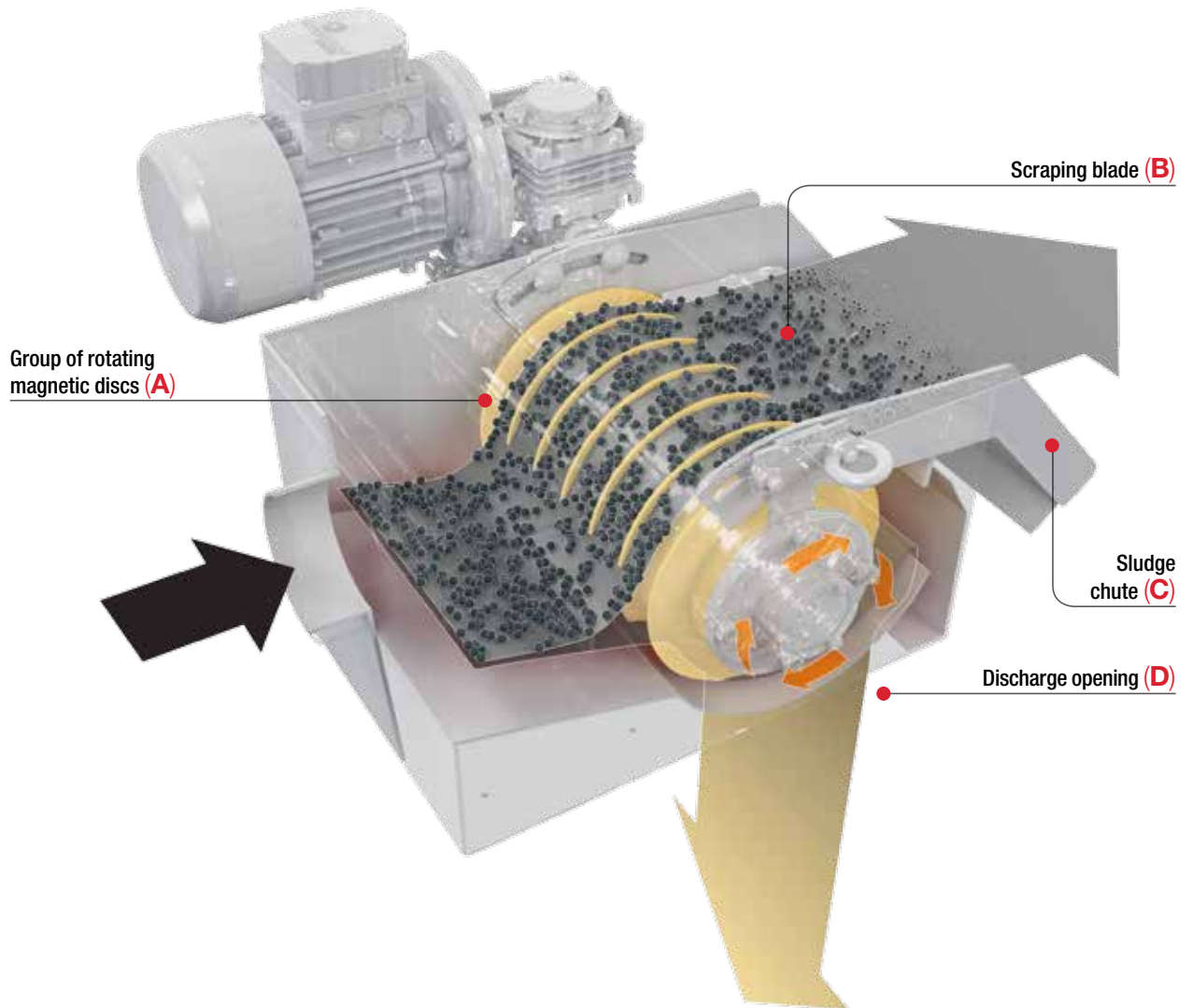
# DMD-P Technical data



DMD-P	Dimensions		
	A	B	C
<b>600</b>	574	594	410
<b>900</b>	849	869	520
<b>1200</b>	1124	1144	740
<b>1500</b>	1398	1418	960
<b>1800</b>	1674	1694	1180

DMD	Max filtering cap. soluble oil	Max filtering cap. neat oil
	l/min	l/min
<b>600</b>	600	300
<b>900</b>	900	450
<b>1200</b>	1200	600
<b>1500</b>	1500	750
<b>1800</b>	1800	900

# Working principles



- 1** Contaminated coolant passes through the group of rotating magnetic discs (A), where magnetic particles are captured.
- 2** A scraping blade (B) removes the metallic particles from the rotating group, conveying them to the sludge chute (C) which collects

the waste into a tank.

- 3** Clean oil is collected into a tank (D) and pumped back to the machine tool thanks to a dedicated pump, or is collected for a further process of fine filtration.

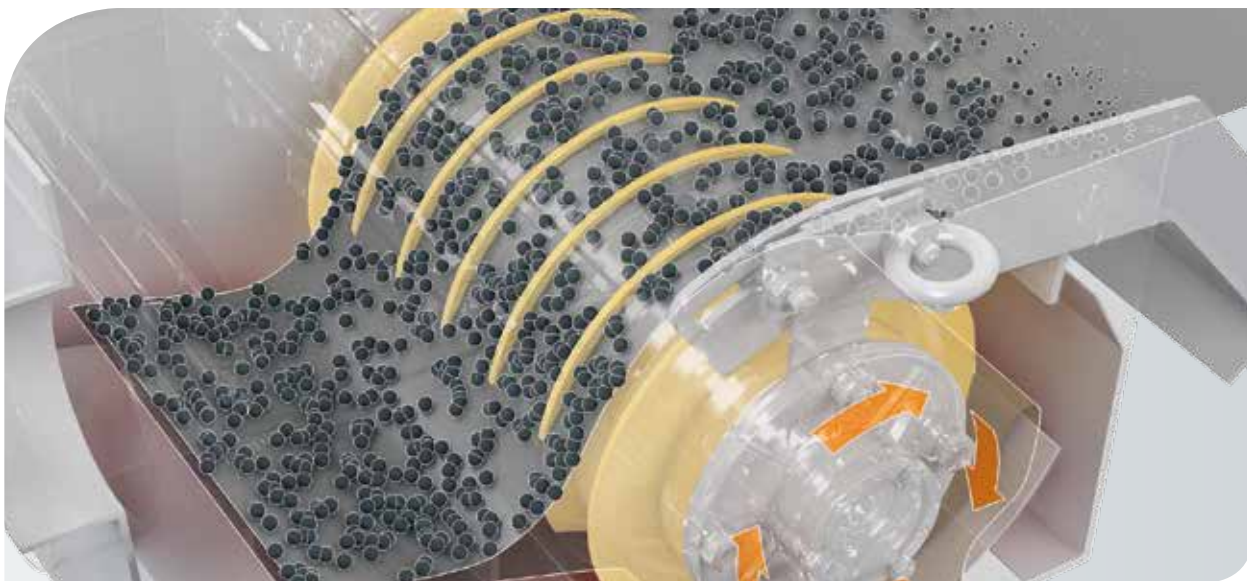


# Plus



## MODULARITY

DMD and DMD P can be paired with any other filter of Losma's product range, in order to guarantee the most accurate filtration.



## PERMANENT FILTERING MATERIAL

DMD and DMD-P do not need any consumable filter.



Health



Savings



Efficiency



Environment



Safety

newtarget



**Losma SpA** - Via E. Fermi, 16  
24035 Curno (BG) - Italia  
Cap.Soc. I.V. Euro 500.000,00  
Reg. imp. e P.IVA e C.F. 01234590162  
R.E.A. 185685



ISO 9001  
TUV SUD  
Certified  
Company



ISO 14001  
TUV SUD  
Certified  
Company



Autorizzato  
all'utilizzo



**Losma Engineering** - Torino  
[www.losma.it](http://www.losma.it)



**Germany** - Losma GmbH  
[www.losma.de](http://www.losma.de)



**USA** - Losma Inc  
[www.losma.com](http://www.losma.com)



**UK** - Losma UK Limited  
[www.losma.co.uk](http://www.losma.co.uk)



**India** - Losma India Pvt Ltd  
[www.losma.co.in](http://www.losma.co.in)

F005.125.01